

# Ideas made to move **business**



**Chrysler Voyager**  
ADA Compliant Wheelchair Accessible Vehicle

## **Voyager and Pacifica Accessible Minivans** by Drivege Vehicle Innovations

### **CONFIGURE SEATING, ACCESSIBILITY OR STORAGE IN NO TIME FLAT**

#### **Introducing the Chrysler FlexFlat 7**

The Chrysler Voyager and Pacifica Wheelchair Accessible Vehicles (WAV) upfitted by Drivege can transport one wheelchair and four passengers or up to six ambulatory passengers\*. One vehicle can provide operators with fast and flexible configurations.

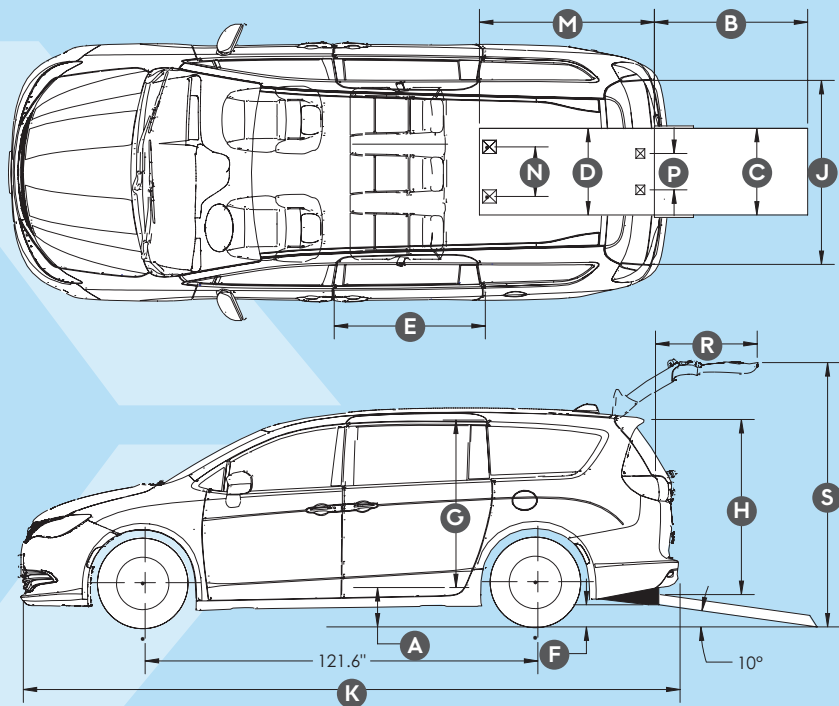
- Half-cut, rear-entry, ADA Compliant
- Multi-position FlexFlat™ ramp system
- Fold-and-spin third row for wheelchair access or cargo space
- Standard equipment includes:
  - 36-month vehicle and upfit limited warranties
  - Includes Apple CarPlay™, Android Auto™, Bluetooth, rearview camera and more...



**DRIVERGE®**  
VEHICLE INNOVATIONS

\*Requires optional second-row middle seat, capacities do not include driver.

844-629-5238 • Drivege.com



## LEGEND

A	Step Height at Ground	21.5"
B	Ramp Length	48"
C	Ramp Width	30"
D	Lowered Floor Width	32"
E	Passenger Door Opening	26.5"
F	Ground Clearance	8.5"
G	Interior Head Clearance	53.5"
H	Rear Entrance Head Room at Ramp	56"
J	Rear Door Opening	48"
K	Vehicle Length	203.8"
M	Pocket Length	57.5"
N	Retractor Width	23.375"
P	Pocket Width	12.5625"
R	Lift Gate Length	32"
S	Lift Gate Height	84.5"

- All dimensions are reference only and are approximate.
- Dimensions may change without notice.
- Please consult Drivege with any questions.

## Commercial Mobility and More

Thanks to Drivege's exclusive FlexFlat™ ramp system and fold-and-spin third row, in seconds operators can create more ambulatory seating or storage space depending on the situation. FlexFlat folds out for wheelchair loading or folds flat to increase space for cargo.

## Second Row Flexibility

The optional second row center seat allows for three passengers while maintaining OEM "stow and go" or "easy slide" functionality.

## The Chrysler FlexFlat 7

The Pacifica-Voyager Wheelchair Accessible Vehicles maintain factory appearance, handling and performance.

- FMVSS and CMVSS compliant
- CARB approved
- 30" wide, 800-pound capacity ramp
- 56" rear entrance opening
- Electric restraints optional

